



Package Information

Version 0.13

Copyright © 2023 by PADAUK Technology Co., Ltd., all rights reserved

6F-6, No.1, Sec. 3, Gongdao 5th Rd., Hsinchu City 30069, Taiwan, R.O.C.

TEL: 886-3-572-8688  www.padauk.com.tw

Table of Contents

1. Package outline drawing (POD):	4
1.1. DIP8(300mil).....	4
1.2. DIP14(300mil).....	5
1.3. DIP16(300mil).....	6
1.4. DIP20(300mil).....	7
1.5. DIP24(300mil).....	8
1.6. DIP28(300mil).....	9
1.7. SOT23-3	10
1.8. SOT23-6	11
1.9. MSOP8(118mil)&E-PAD	12
1.10. MSOP10(118mil)&E-PAD	14
1.11. SOP8(Pitch:1.27mm,Width:150mil) &E-PAD	16
1.12. SOP14(Pitch:1.27mm,Width:150mil)	18
1.13. SOP16(Pitch:1.27mm,Width:150mil)&E-PAD	19
1.14. SOP18(Pitch:1.27mm ,Width:300mil)	21
1.15. SOP20(Pitch:1.27mm,Width:300mil)	22
1.16. SOP24(Pitch:1.27mm,Width:300mil)	23
1.17. SOP28(Pitch:1.27mm,Width:300mil)	24
1.18. SSOP16(Pitch:0.635mm,Width:150mil)	25
1.19. SSOP20(Pitch:0.635mm,Width:150mil)	26
1.20. SSOP24(Pitch:0.635mm,Width:150mil)	27
1.21. QFN3*3-16(Pitch:0.50mm,Width:3x3mm,Thickness:0.75mm)	28
1.22. QFN4*4-16(E-PAD:2.1x2.1mm,Pitch:0.65mm,Width:4x4mm,Thickness:0.75mm)	29
1.23. QFN4*4-24(Pitch:0.5mm,Width:4x4mm,Thickness:0.75mm)	30
1.24. DFN2*2-6(Pitch:0.65mm,Width:2x2mm,Thickness:0.75mm)	31
1.25. DFN2*2-8(Pitch:0.50mm, Width:2x2mm,Thickness:0.75mm)	32
1.26. DFN3*3-10(Pitch:0.50mm, Width:3x3mm,Thickness:0.75mm)	33
1.27. ESSOP10(Pitch:1mm,Width:150mil) with E-PAD	34
1.28. HTSOP20(Pitch:1mm,Width:150mil)	35
1.29. TSSOP20	36
1.30. TSSOP28	37

Package Information

Revision History:

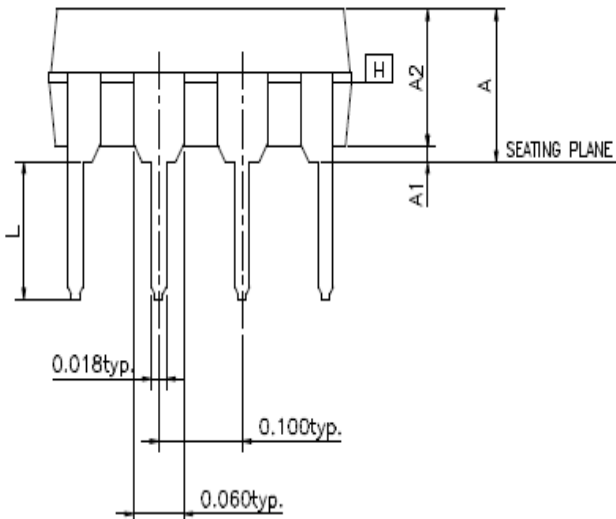
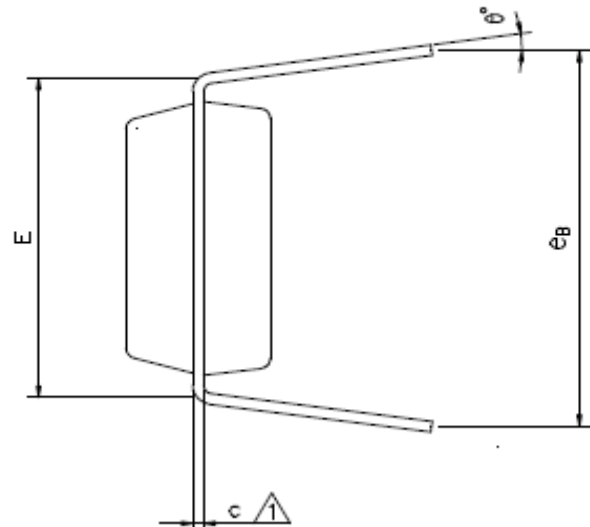
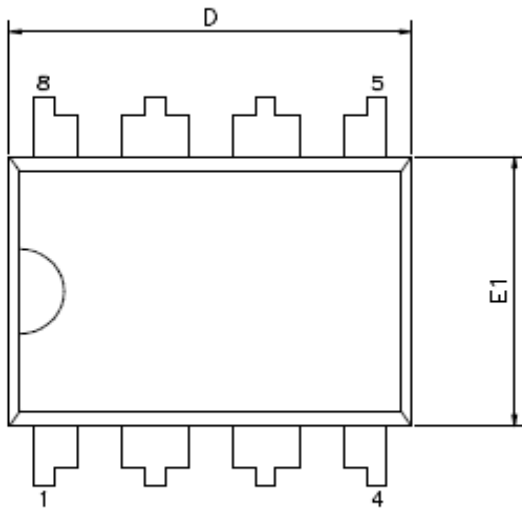
Revision	Date	Description
0.11	2022/08/05	1. Delete QFN4*4-16(E-PAD:2.65x2.65mm)
0.12	2022/09/16	1. Add E-PAD size for 1.9 MSOP8 and 1.10 MSOP10 2. Add E-PAD size for 1.11 SOP8 and 1.13 SOP16
0.13	2023/06/15	1. REVISED 1.27 E-Pad size of ESSOP10

Package Information

1. Package outline drawing (POD):

The following drawings and dimensions are for reference only

1.1. DIP8(300mil)

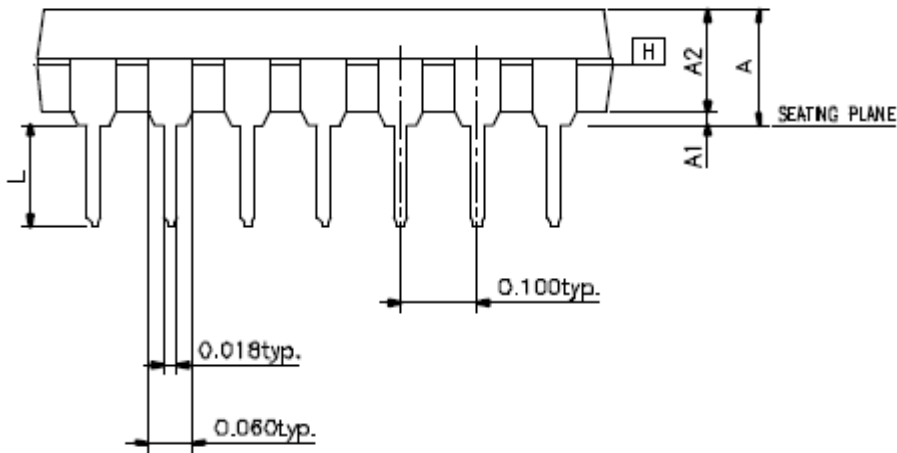
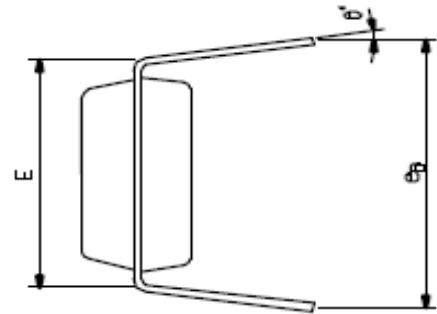
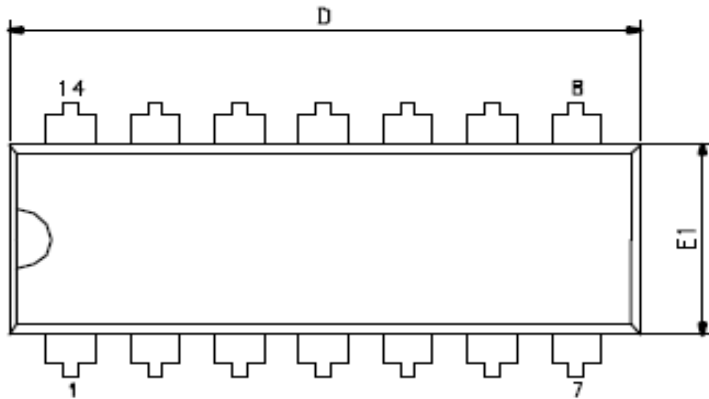


SYMBOLS	INCH		
	MIN	TYP	MAX
A	-	-	0.210
A1	0.015	-	-
A2	0.125	0.130	0.135
c	0.008	0.010	0.014
D	0.355	0.365	0.400
E	0.300 BSC		
E1	0.245	0.250	0.255
L	0.115	0.130	0.150
eB	0.335	0.355	0.375
θ°	0	7	15

Package Information

1.2. DIP14(300mil)

Lead of DIP 14	300 mil
-----------------------	----------------

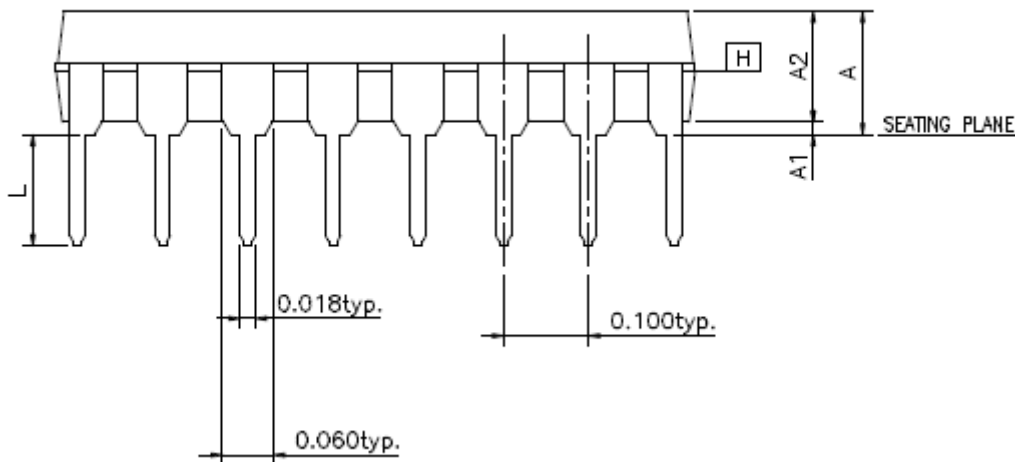
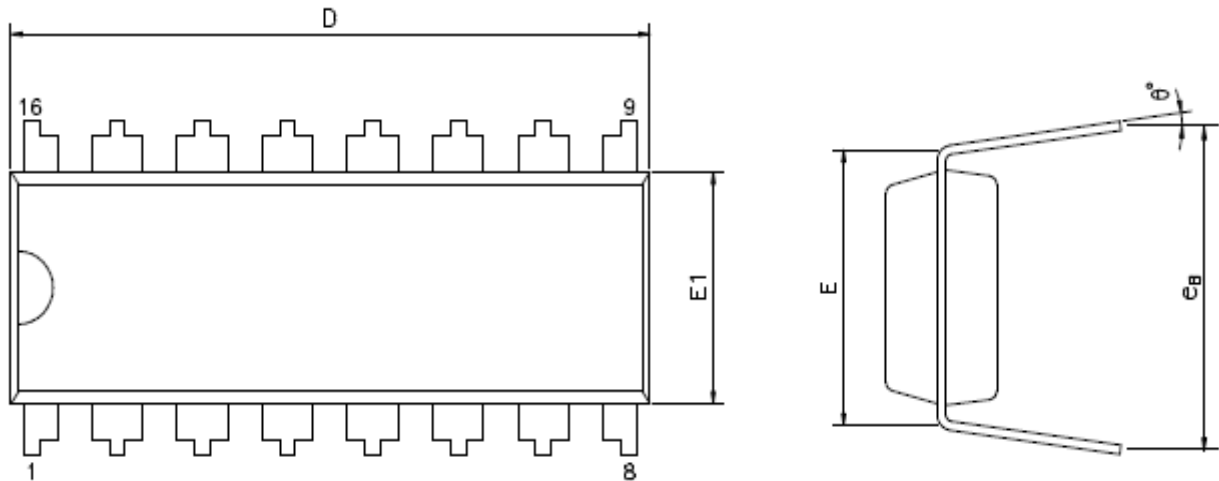


SYMBOLS	INCH		
	MIN	TYP	MAX
A	-	-	0.21
A1	0.015	-	-
A2	0.125	0.130	0.135
D	0.735	0.750	0.775
E	0.300 BSC		
E1	0.245	0.250	0.255
L	0.115	0.130	0.150
e B	0.335	0.355	0.375
θ°	0	7	15

Package Information

1.3. DIP16(300mil)

Lead of DIP 16	300 mil
-----------------------	----------------

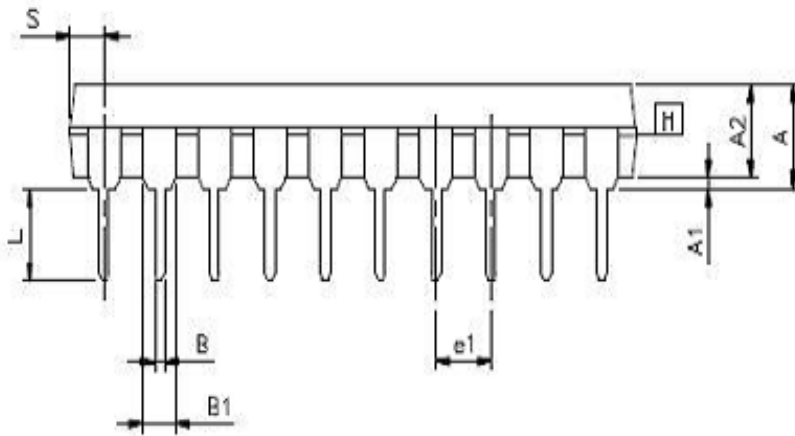
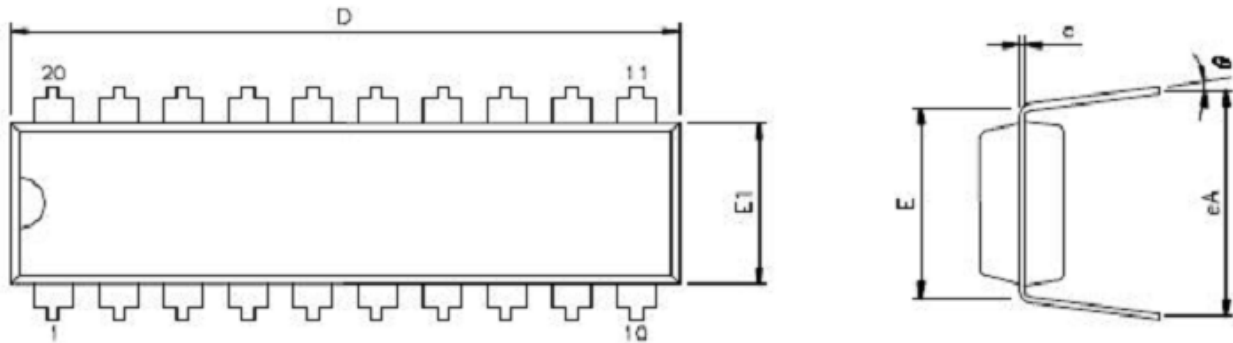


SYMBOLS	INCH		
	MIN	TYP	MAX
A	-	-	0.172
A1	0.015	-	0.038
A2	0.125	0.130	0.135
D	0.735	0.755	0.775
E	0.300 BSC		
E1	0.245	0.250	0.255
L	0.115	0.130	0.150
eB	0.335	0.355	0.375
θ°	0	7	15

Package Information

1.4. DIP20(300mil)

Lead of DIP 20	300 mil
-----------------------	----------------

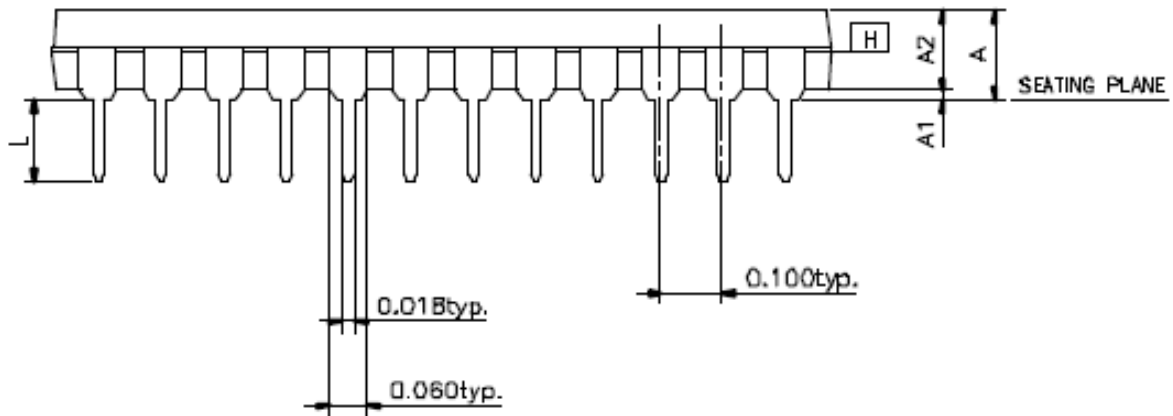
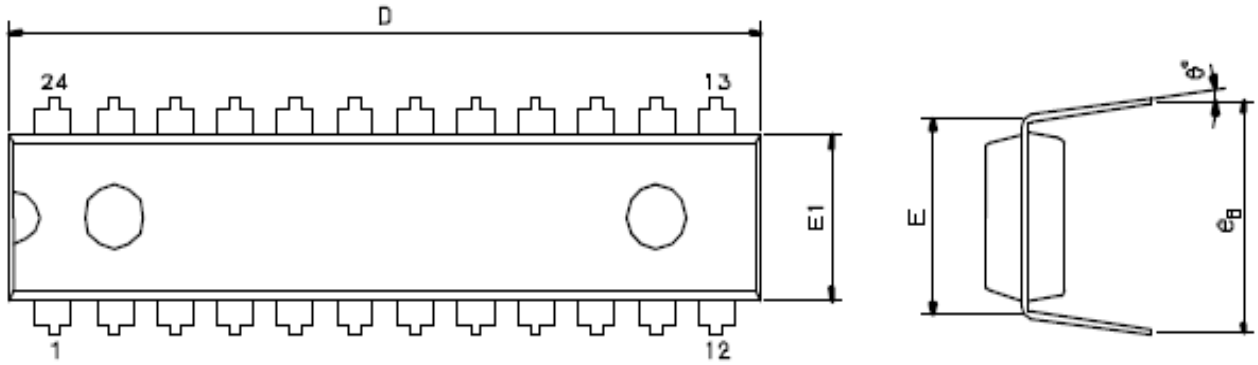


SYMBOLS	INCH		
	MIN	TYP	MAX
A	-	-	0.175
A1	0.015	-	-
A2	0.125	0.130	0.135
B	0.016	0.018	0.020
B1	0.058	0.060	0.064
c	0.008	0.010	0.011
D	1.002	1.026	1.040
E	0.290	0.300	0.310
E1	0.245	0.250	0.255
e1	0.090	0.100	0.110
L	0.120	0.130	0.140
θ°	0	-	15
eA	0.335	0.355	0.375
eC	0.000	-	0.06
S	-	-	0.075

Package Information

1.5. DIP24(300mil)

Lead of Skinny DIP24	300 mil
-----------------------------	----------------

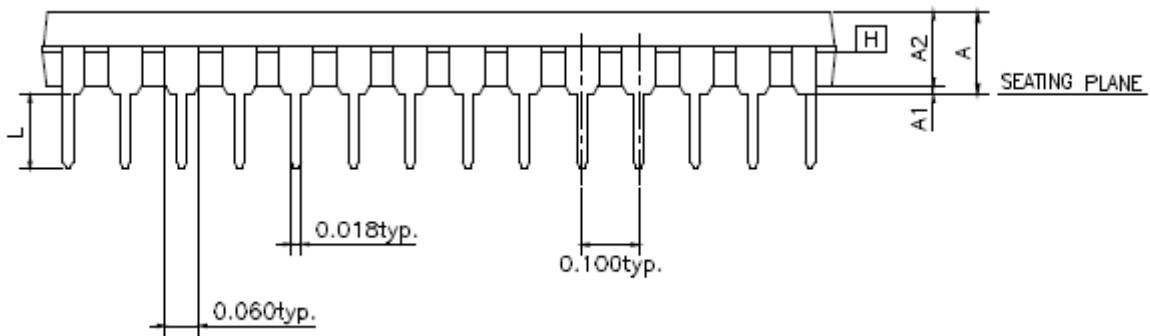
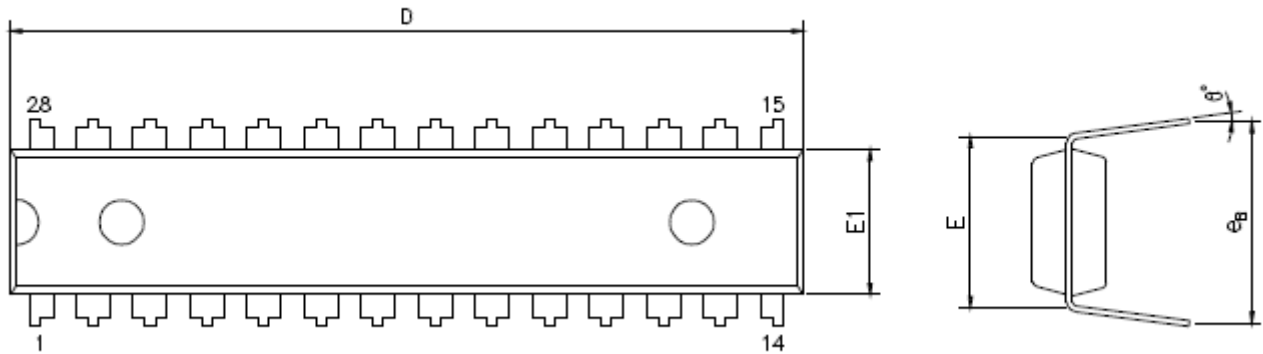


SYMBOLS	INCH		
	MIN	TYP	MAX
A	-	-	0.210
A1	0.015	-	-
A2	0.125	0.130	0.135
D	1.230	1.250	1.280
E	0.300 BSC		
E1	0.253	0.258	0.263
L	0.115	0.130	0.150
e B	0.335	0.355	0.375
θ°	0	7	15

Package Information

1.6. DIP28(300mil)

Lead of Skinny DIP28	300 mil
-----------------------------	----------------

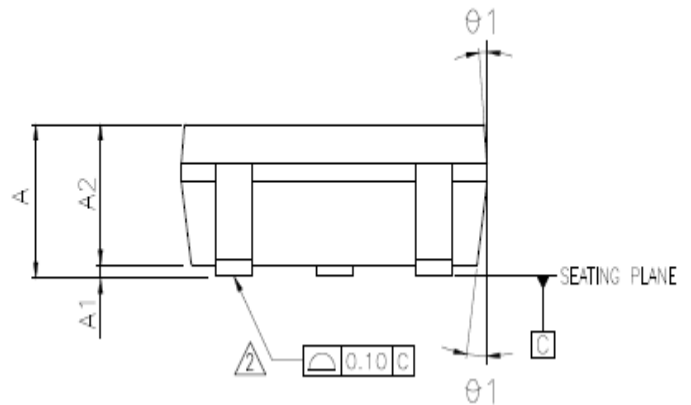
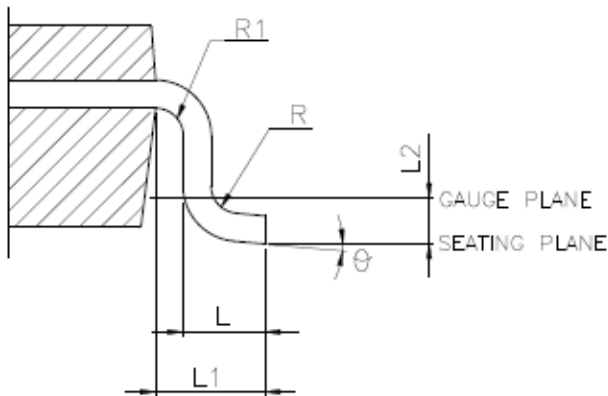
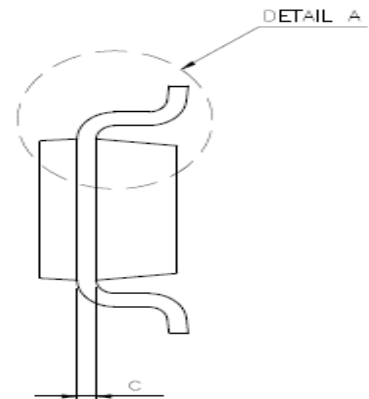
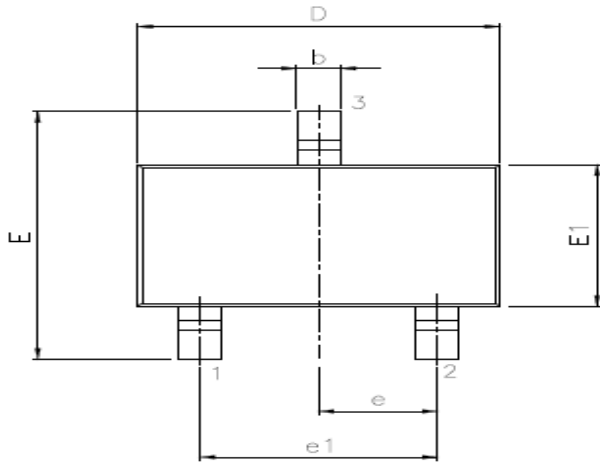


SYMBOLS	INCH		
	MIN	TYP	MAX
A	-	-	0.175
A1	0.015	-	-
A2	0.125	0.130	0.135
D	1.385	1.390	1.400
E	0.310 BSC		
E1	0.283	0.288	0.293
L	0.120	0.130	0.140
eB	0.330	0.350	0.370
θ°	0	7	15

Package Information

1.7. SOT23-3

Lead of SOT23-3	Pitch=0.95mm Body width=1.6 mm
------------------------	---

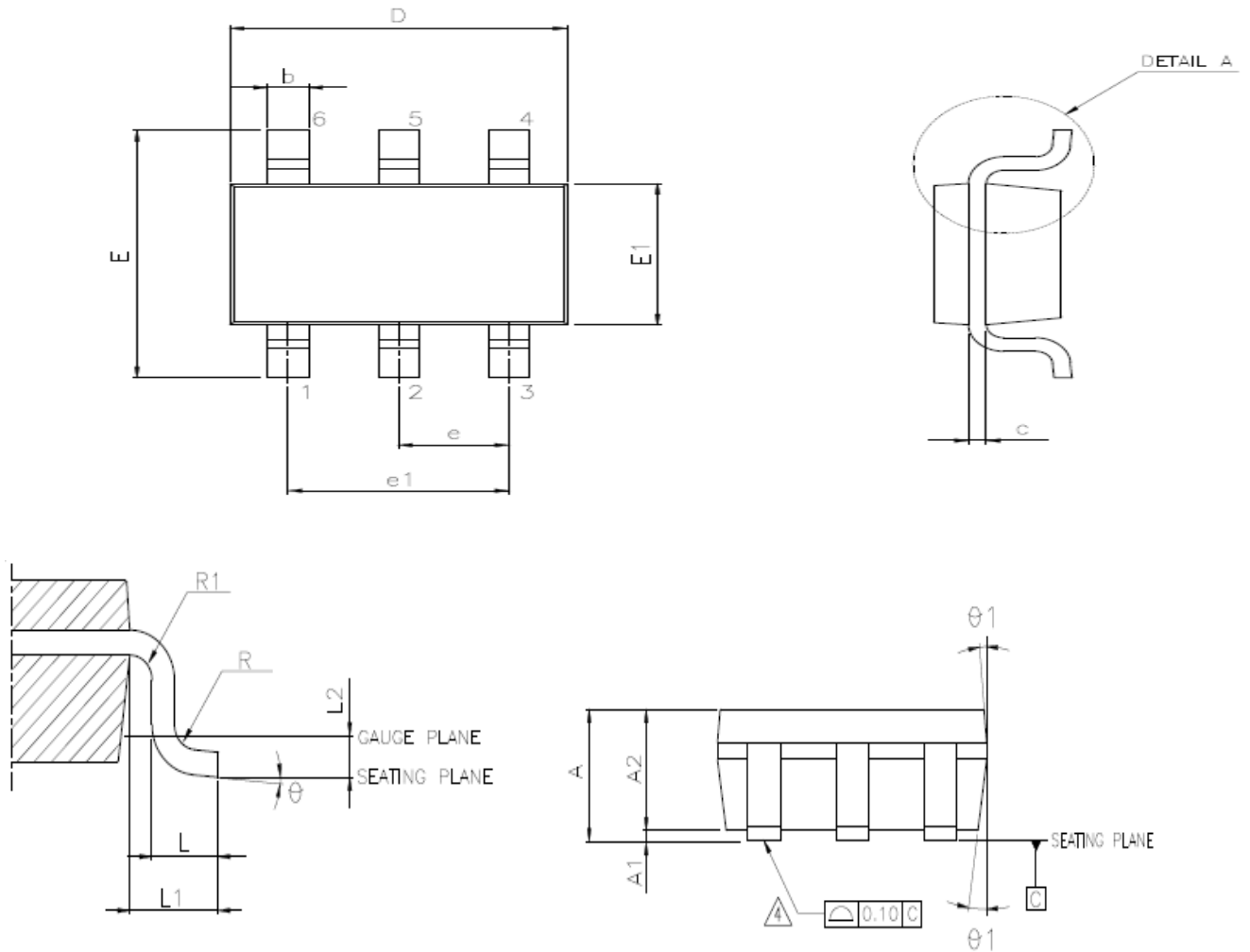


SYMBOLS	MILLIMETERS		
	MIN	TYP	MAX
A	-	-	1.45
A1	0.00	-	0.15
A2	0.90	1.15	1.30
b	0.30	-	0.50
c	0.08	-	0.22
D	2.90 REF		
E	2.80 REF		
E1	1.60 REF		
e	0.95 REF		
e1	1.90 REF		
L	0.30	0.45	0.60
L1	0.60 REF		
L2	0.25 BSC		
R	0.10	-	-
R1	0.10	-	0.25
θ	0	4	8
$\theta 1$	5	10	15

Package Information

1.8. SOT23-6

Lead of SOT23-6	Pitch=0.95mm Body width=1.6 mm
------------------------	---

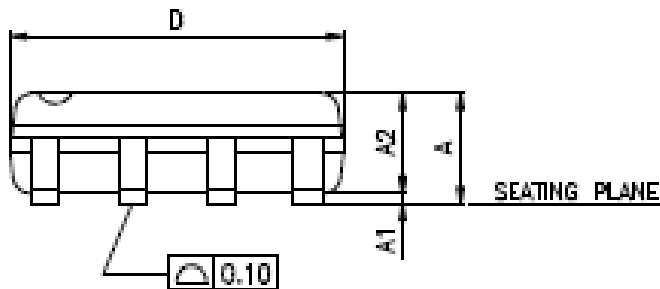
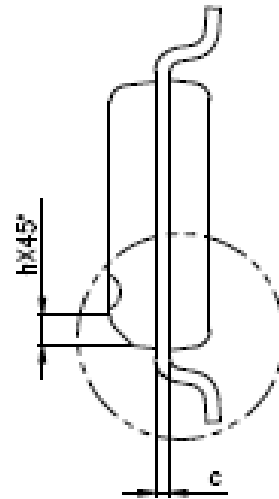
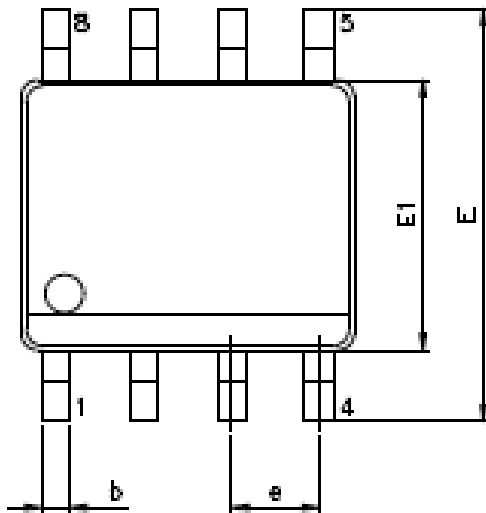


SYMBOLS	MILLIMETERS		
	MIN	TYP	MAX
A	-	-	1.45
A1	0.00	-	0.15
A2	0.90	1.15	1.30
b	0.30	-	0.50
c	0.08	-	0.22
D	2.90 REF		
E	2.80 REF		
E1	1.60 REF		
e	0.95 REF		
e1	1.90 REF		
L	0.30	0.45	0.60
L1	0.60 REF		
L2	0.25 BSC		
R	0.10	-	-
R1	0.10	-	0.25
θ	0	4	8
$\theta 1$	5	10	15

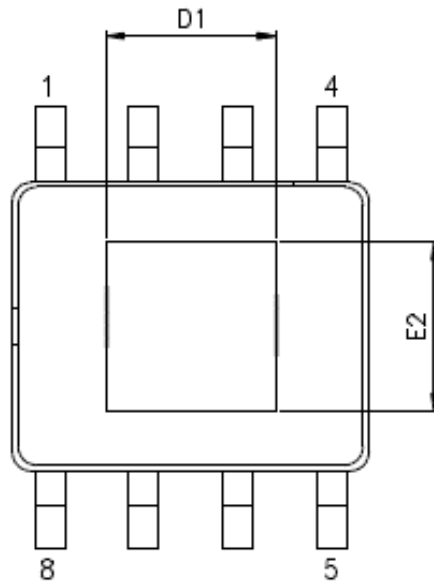
Package Information

1.9. MSOP8(118mil)&E-PAD

Lead of MSOP8	Pitch=0.5mm Body width=3 mm=118 mil
----------------------	--



SYMBOLS	MILLIMETERS	
	MIN	MAX
A	-	1.10
A1	-	0.09
A2	0.75	0.95
b	0.28	0.35
c	0.15	0.23
D	3.00 BSC	
E1	3.00 BSC	
E	4.90 BSC	
e	0.65 BSC	
L	0.45	0.75
D1	1.80	2.10
E2	1.45	1.65

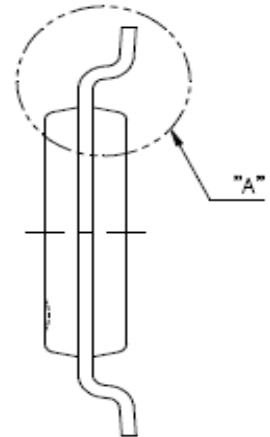
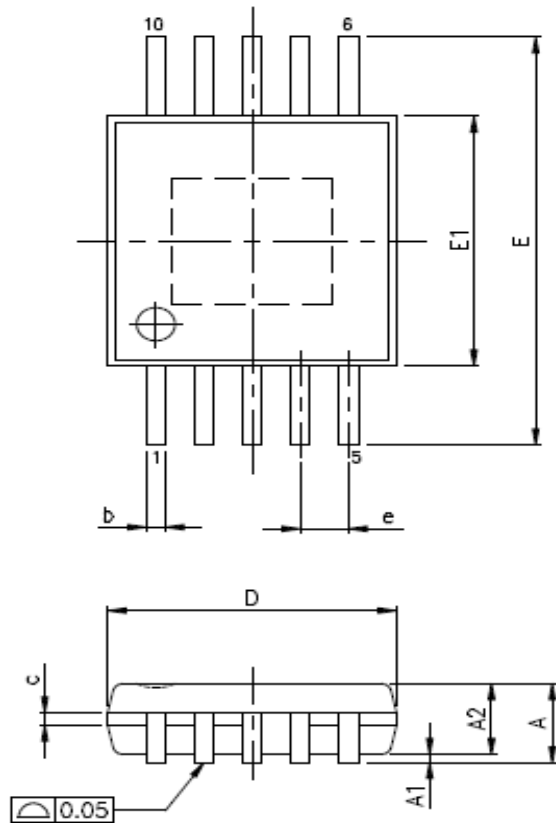


1. E-PAD dimensions are for reference only
2. E-PAD : Refer to PMC-APN-019 E-PAD product PCB layout guideline

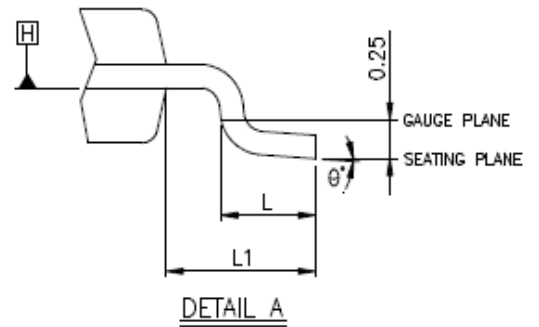
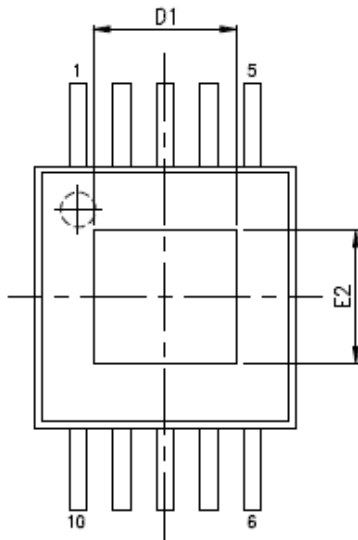
Package Information

1.10. MSOP10(118mil)&E-PAD

Lead of MSOP10	Pitch=0.5mm Body width=3 mm=118 mil
-----------------------	--



SYMBOLS	MILLIMETERS		
	MIN	TYP	MAX
A	-	-	1.10
A1	0.00	-	0.15
A2	0.75	0.85	0.95
b	0.17	-	0.27
c	0.08	-	0.23
D	3.00 BSC		
E	4.90 BSC		
E1	3.00 BSC		
e	0.50 BSC		
L	0.40	0.60	0.80
L1	0.95 REF		
θ°	0	-	8
D1	1.40	-	2.00
E2	1.50	-	1.91

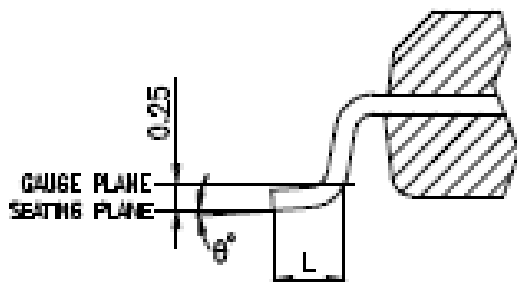
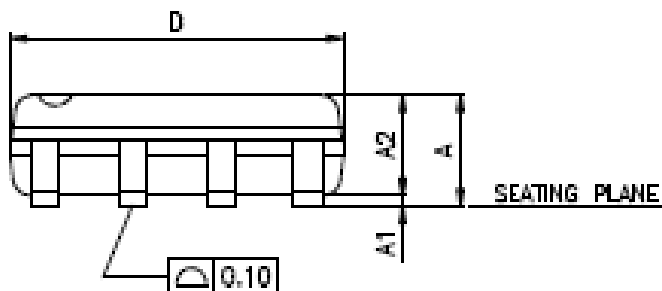
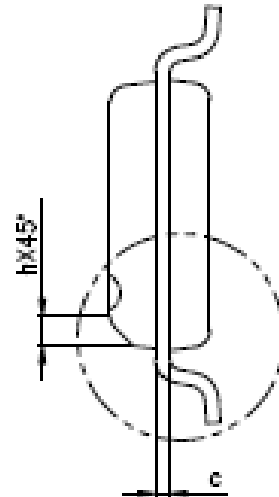
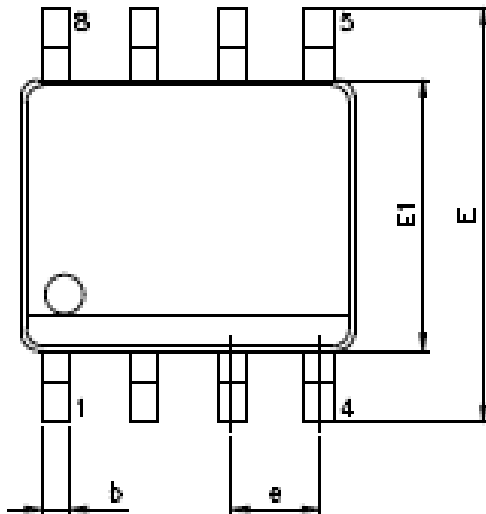


1. E-PAD dimensions are for reference only
2. E-PAD : Refer to PMC-APN-019 E-PAD product PCB layout guideline

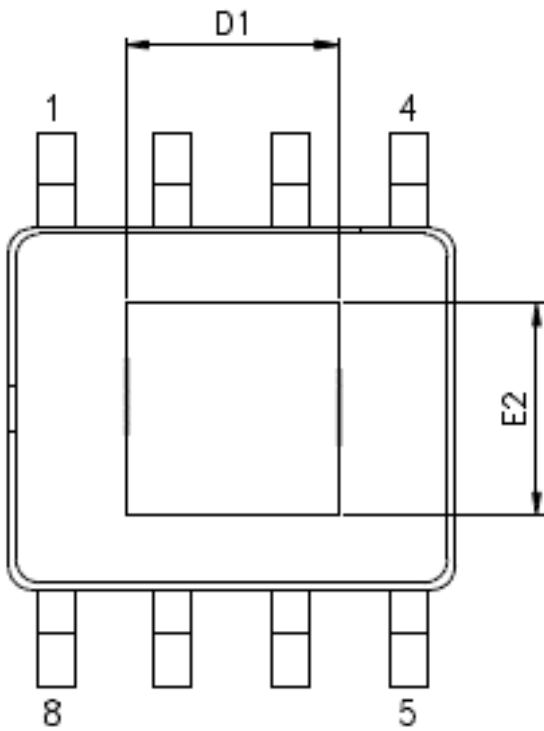
Package Information

1.11. SOP8(Pitch:1.27mm,Width:150mil) &E-PAD

Lead of SOP8	Pitch=1.27 mm=0.05 inch Body width=3.9 mm=150 mil
---------------------	--



Package Information



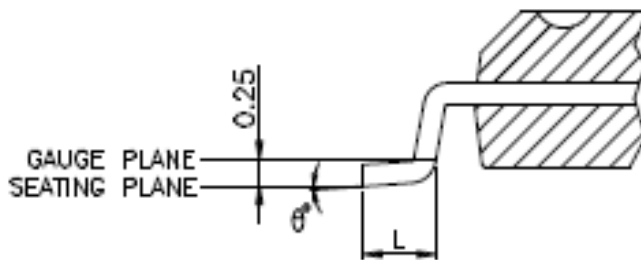
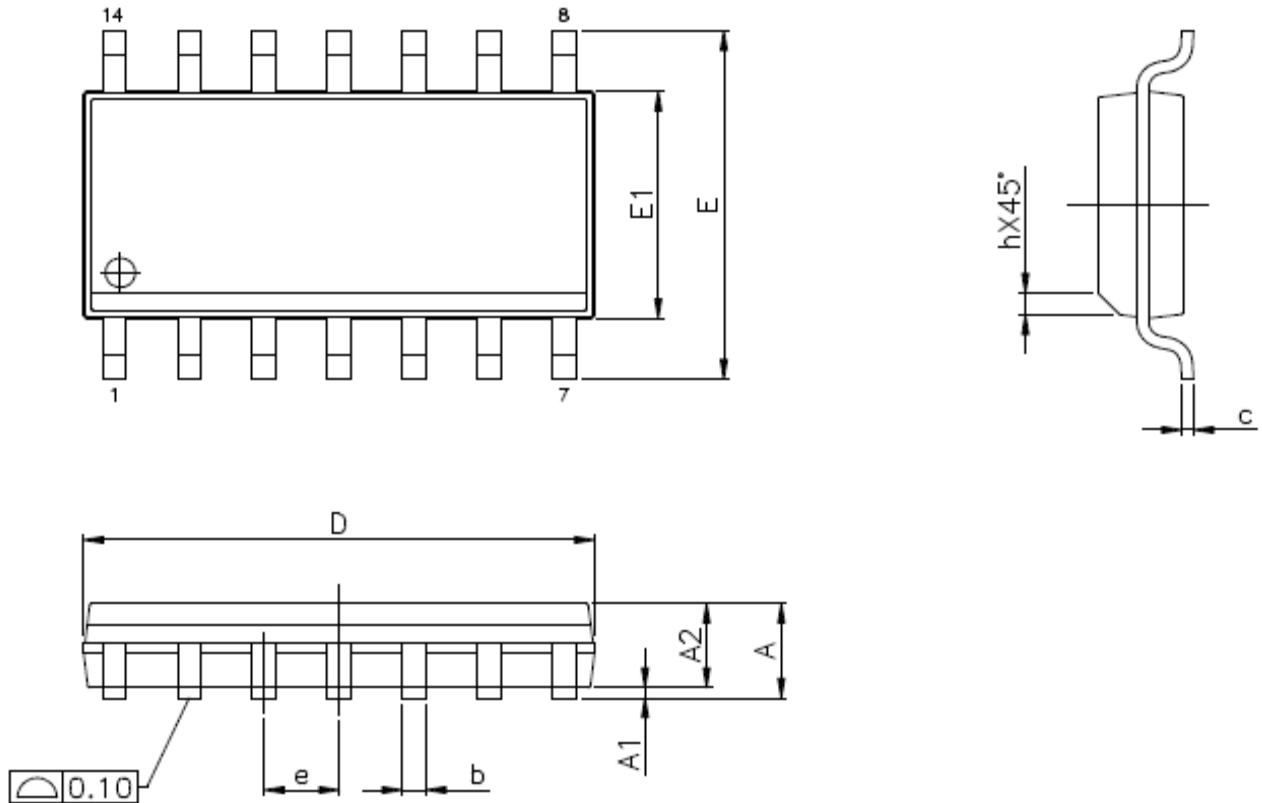
SYMBOLS	MILLIMETERS	
	MIN	MAX
A	-	1.75
A1	0.10	0.25
A2	1.25	-
b	0.31	0.51
c	0.10	0.25
D	4.90 BSC	
E	6.00 BSC	
E1	3.90 BSC	
e	1.27 BSC	
L	0.40	1.27
h	0.25	0.50
θ°	0	8
D1	3.20	3.40
E2	2.10	2.50

1. E-PAD dimensions are for reference only
2. E-PAD : Refer to PMC-APN-019 E-PAD product PCB layout guideline

Package Information

1.12. SOP14(Pitch:1.27mm,Width:150mil)

Lead of SOP14	Pitch=1.27 mm=0.05 inch Body width=3.9 mm=150 mil=0.15 inch
----------------------	--

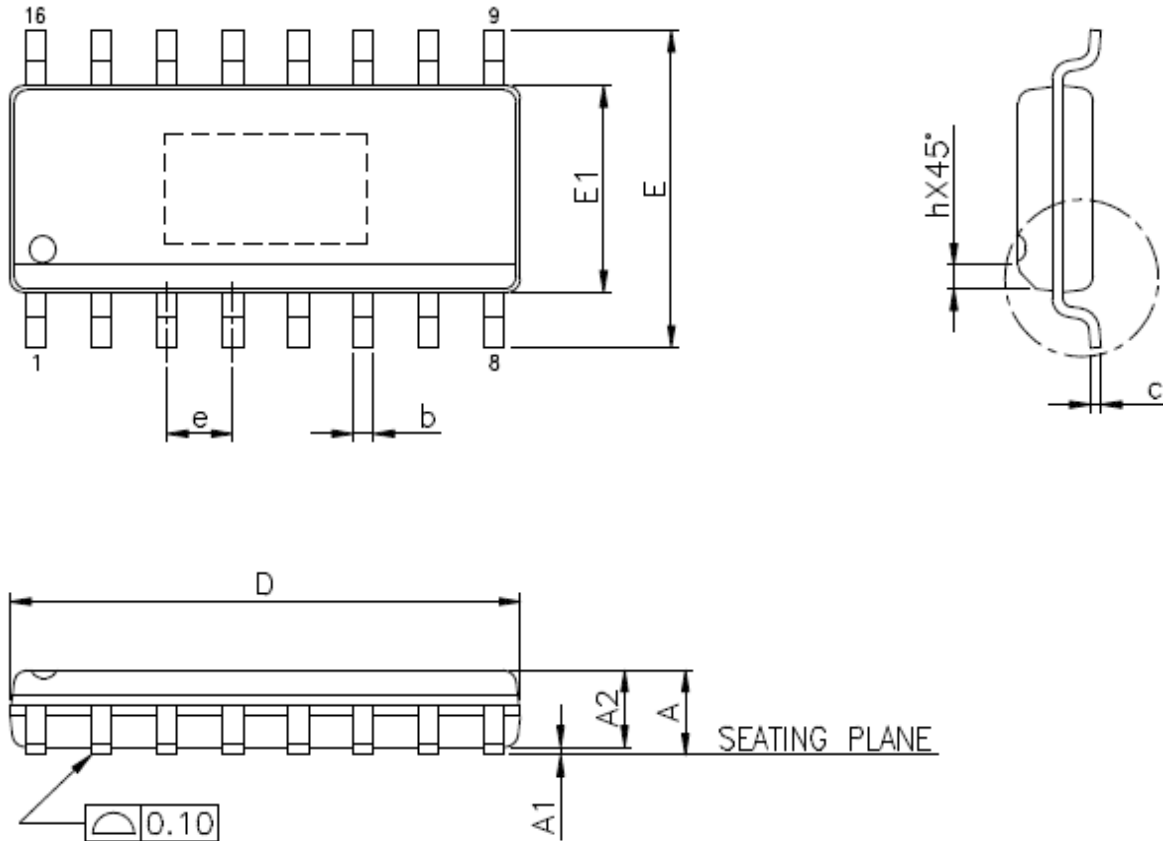


SYMBOLS	MILLIMETERS	
	MIN	MAX
A	-	1.75
A1	0.10	0.25
A2	1.25	-
b	0.31	0.51
c	0.10	0.25
D	8.65 BSC	
E	6.00 BSC	
E1	3.90 BSC	
e	1.27 BSC	
L	0.40	1.27
h	0.25	0.50
θ°	0	8

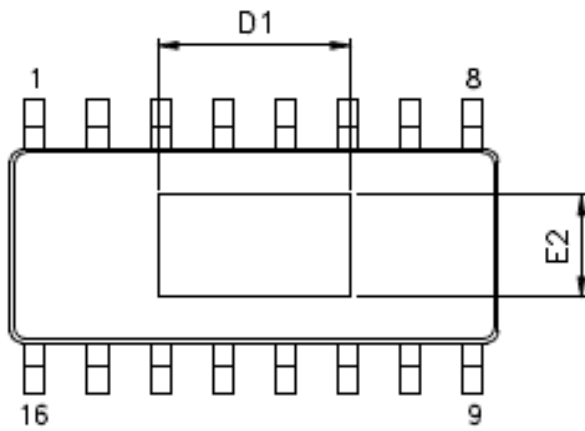
Package Information

1.13. SOP16(Pitch:1.27mm,Width:150mil)&E-PAD

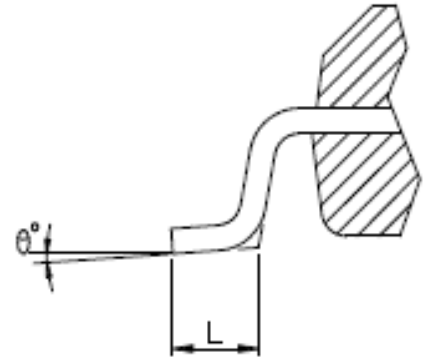
Lead of SOP16	Pitch=1.27mm=0.05 inch Body width=150 mil
----------------------	--



SYMBOLS	MILLIMETERS	
	MIN	MAX
A	-	1.75
A1	0.10	0.25
A2	1.25	-
b	0.31	0.51
c	0.10	0.25
D	9.90 BSC	
E	6.00 BSC	
E1	3.90 BSC	
e	1.27 BSC	
L	0.40	1.27
h	0.25	0.50
θ°	0	8
D1	3.70	4.90
E2	2.15	2.65



(THERMAL VARIATIONS ONLY)

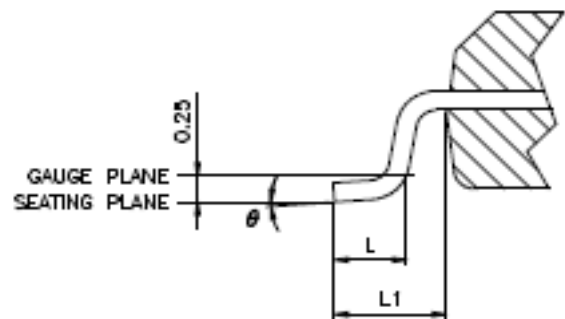
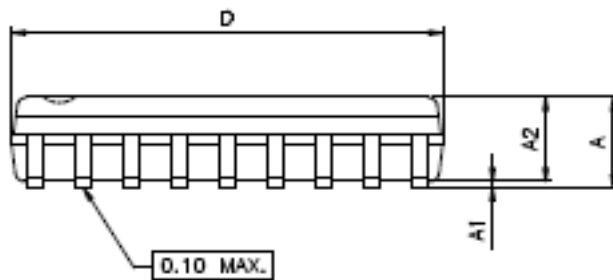
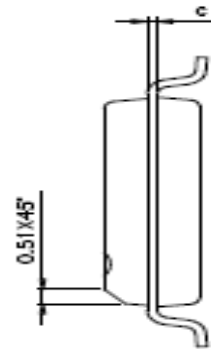
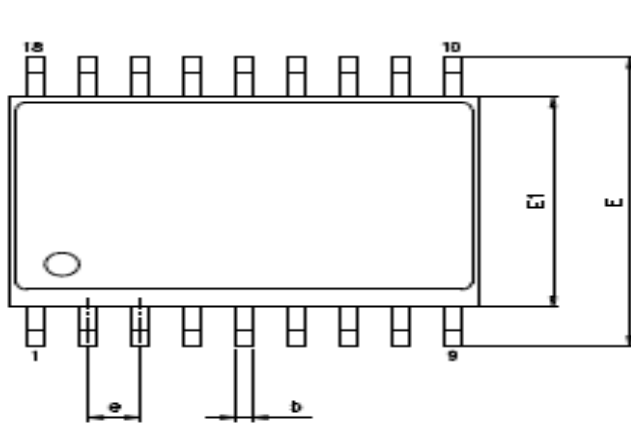


1. E-PAD dimensions are for reference only
2. E-PAD : Refer to PMC-APN-019 E-PAD product PCB layout guideline

Package Information

1.14. SOP18(Pitch:1.27mm ,Width:300mil)

Lead of SOP18	Pitch=1.27 mm=0.05 inch Body width=300 mil
----------------------	---

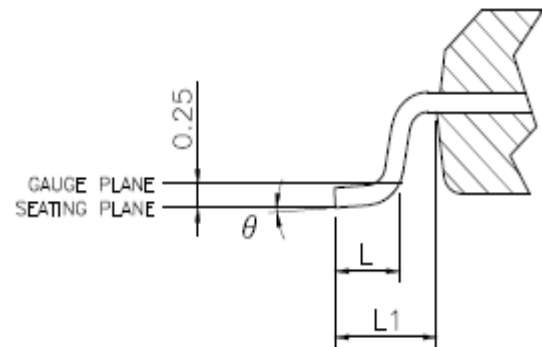
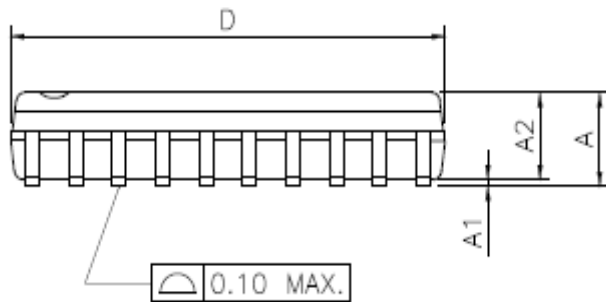
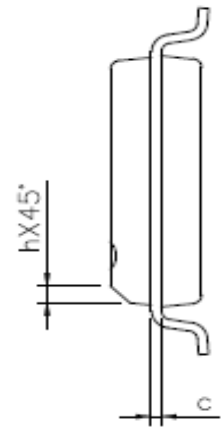
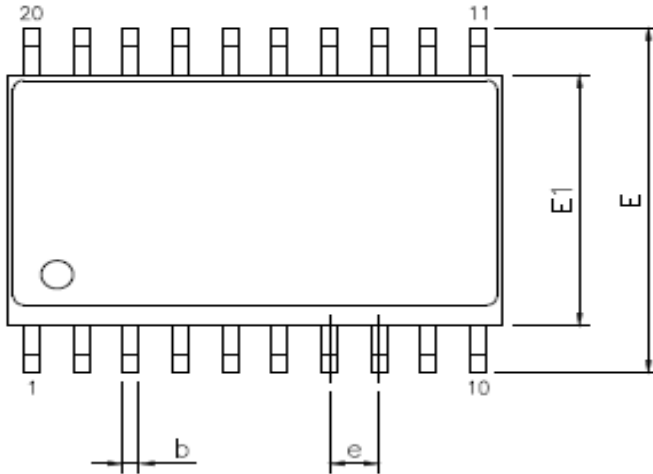


SYMBOLS	MILLIMETERS	
	MIN	MAX
A	-	2.65
A1	0.10	0.30
A2	2.05	-
b	0.31	0.51
c	0.20	0.33
D	11.55 BSC	
E1	7.50 BSC	
E	10.30 BSC	
e	1.27 BSC	
L1	1.40 REF	
L	0.40	1.27
θ°	0	8

Package Information

1.15. SOP20(Pitch:1.27mm,Width:300mil)

Lead of SOP20	Pitch=1.27 mm=0.05 inch Body width=300 mil
----------------------	---

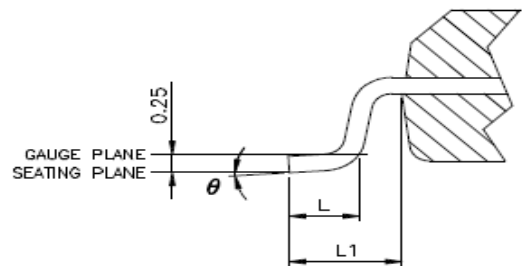
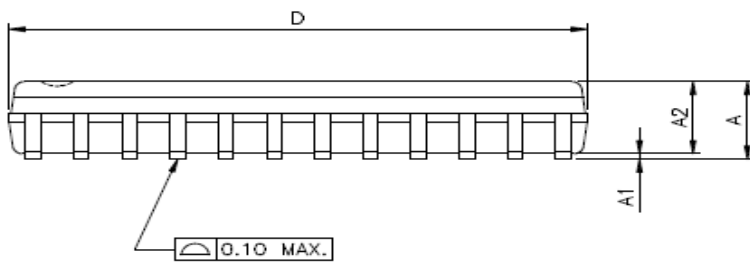
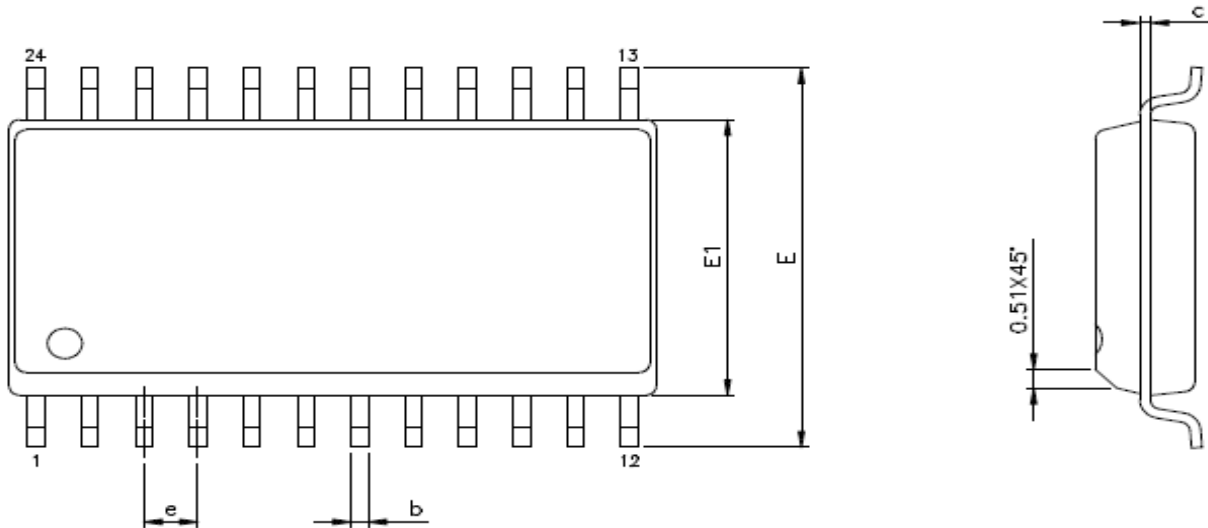


SYMBOLS	MILLIMETERS	
	MIN	MAX
A	-	2.65
A1	0.10	0.30
A2	2.05	
b	0.31	0.51
c	0.10	0.33
D	12.80 BSC	
E	10.30 BSC	
E1	7.50 BSC	
e	1.27 BSC	
L	0.40	1.27
L1	1.40 REF	
h	0.25	0.75
θ°	0	8

Package Information

1.16. SOP24(Pitch:1.27mm,Width:300mil)

Lead of SOP24	Pitch=1.27 mm= 0.05 inch Body width=300 mil
----------------------	--

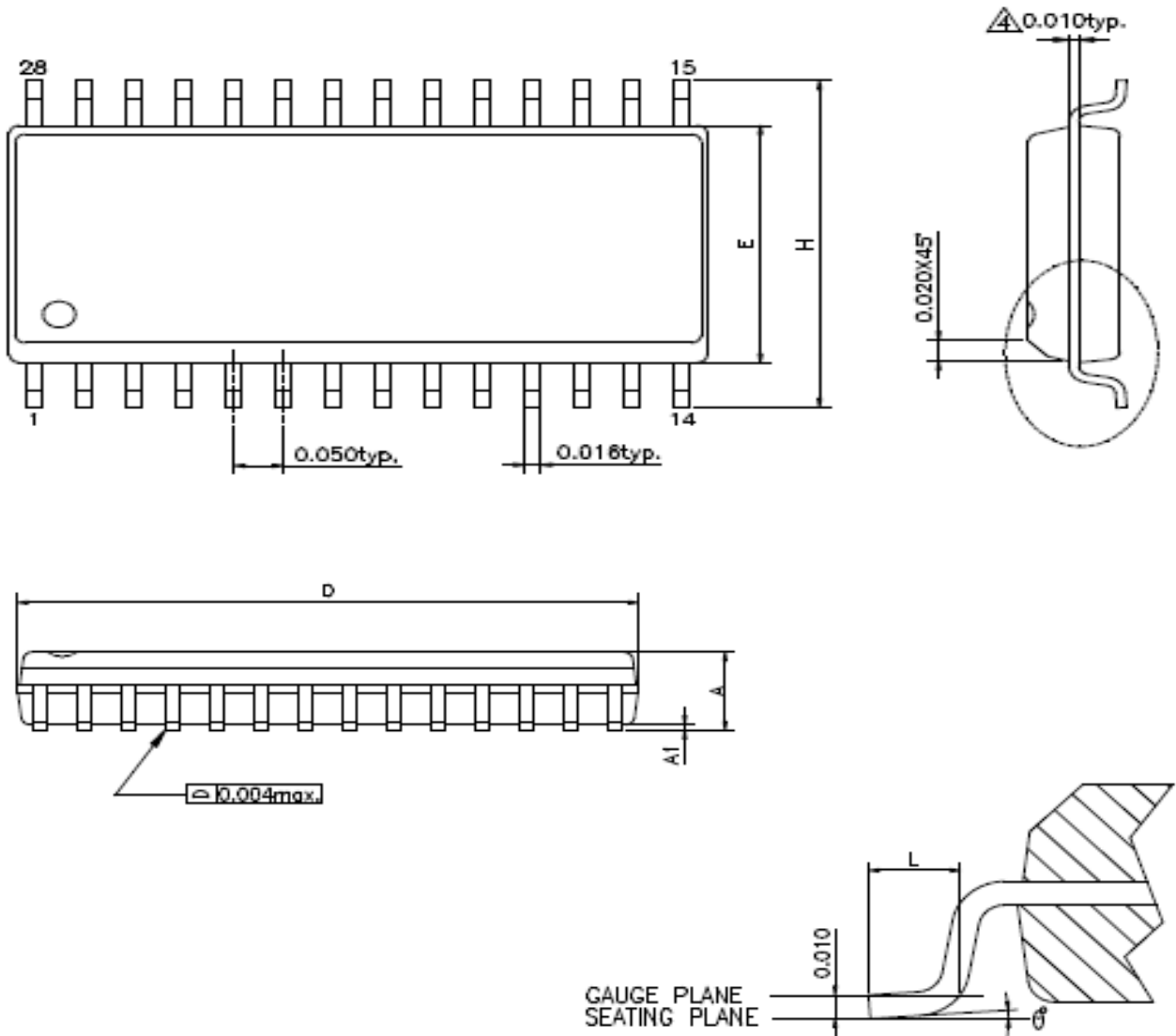


SYMBOLS	MILLIMETERS		
	MIN	TYP	MAX
A	-	-	2.65
A1	0.10	-	0.30
A2	2.05	-	-
b	0.31	-	0.51
c	0.20	-	0.33
D	15.24	-	15.70
E	7.50 BSC		
E1	10.30 BSC		
e	1.27 BSC		
L1	1.40 BSC		
L	0.40	-	1.27
θ°	0	-	8

Package Information

1.17. SOP28(Pitch:1.27mm,Width:300mil)

Lead of SOP28	Pitch=1.27 mm =0.05 inch Body width=300 mil
----------------------	--

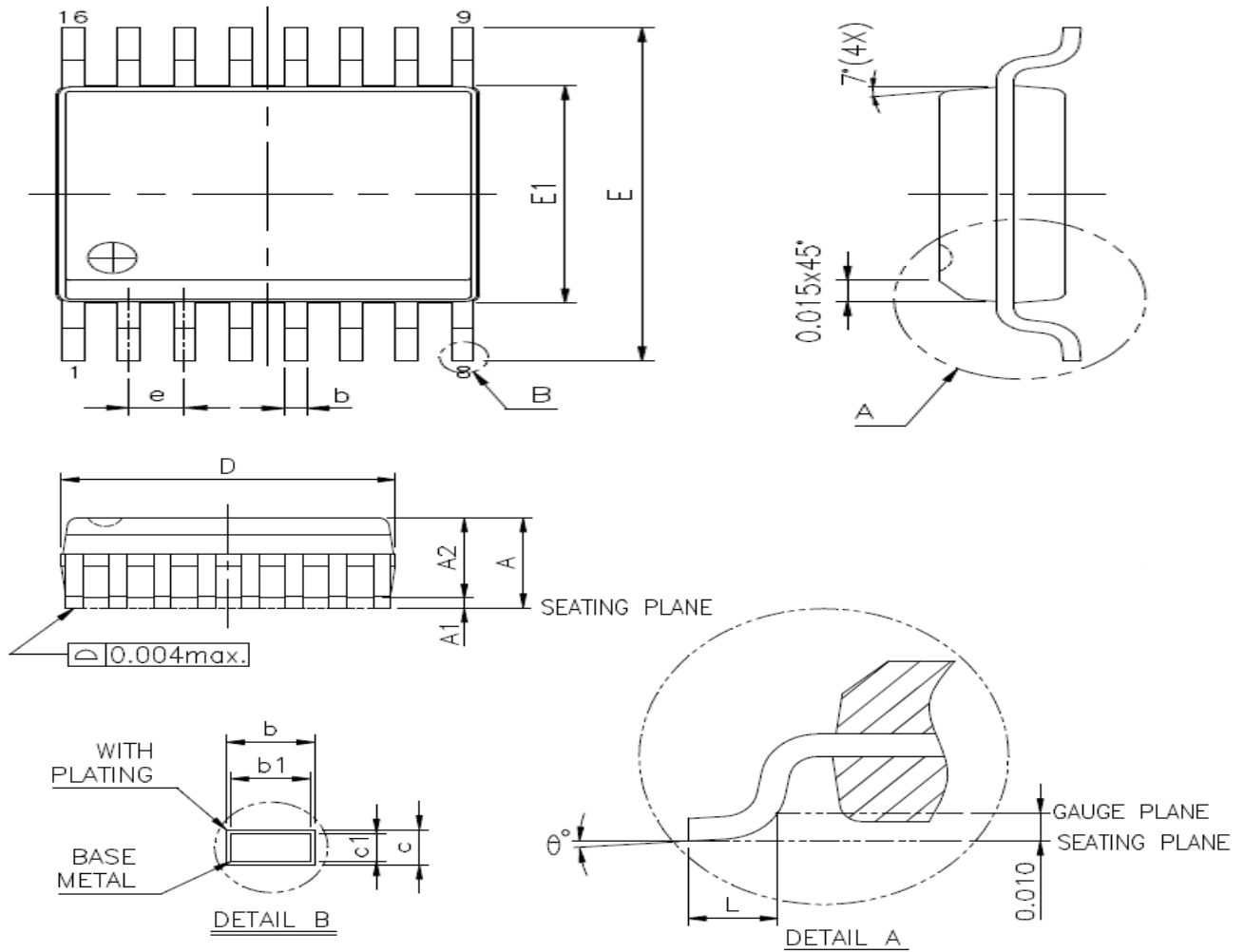


SYMBOLS	INCH		
	MIN	TYP	MAX
A	-	-	0.104
A1	0.004	-	-
D	0.697	0.718	0.724
E	0.291	0.295	0.299
H	0.394	0.406	0.419
L	0.016	0.035	0.050
θ°	0	4	8

Package Information

1.18. SSOP16(Pitch:0.635mm,Width:150mil)

Lead of SSOP16	Pitch=0.635mm=0.025 inch Body width=150 mil
-----------------------	--

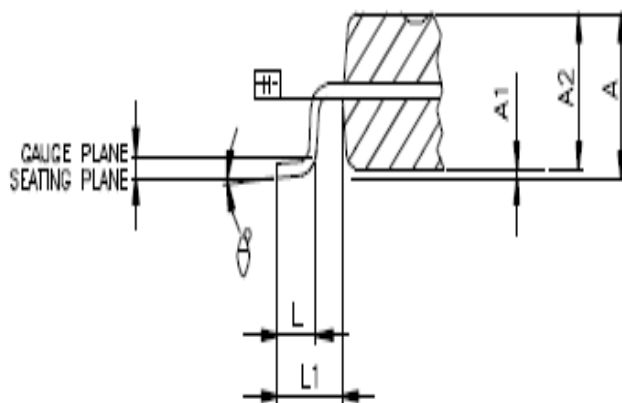
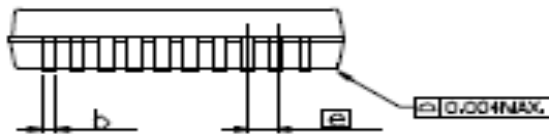
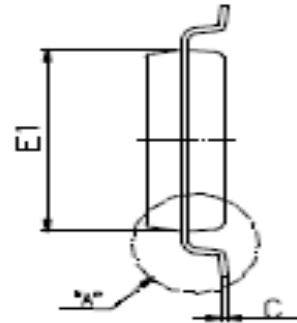
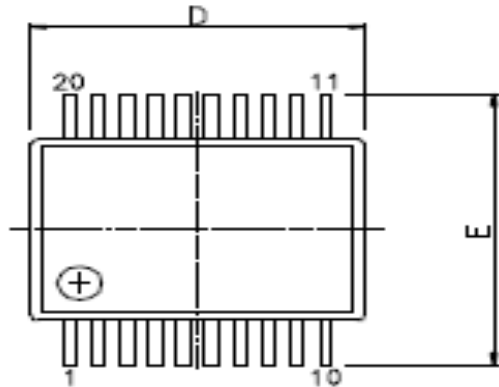


SYMBOLS	INCH		
	MIN	TYP	MAX
A	0.053	-	0.069
A1	0.004	-	0.010
A2	0.049	-	0.059
b	0.008	-	0.012
b1	0.008	0.010	0.011
c	0.007	-	0.010
c1	0.007	0.008	0.009
D	0.189	0.193	0.197
E1	0.150	0.154	0.157
E	0.228	0.236	0.244
L	0.016	0.025	0.050
e	0.025 BSC		
θ°	0	-	8

Package Information

1.19. SSOP20(Pitch:0.635mm,Width:150mil)

Lead of SSOP20	Pitch=0.635mm=0.025 inch Body width=150 mil
-----------------------	--



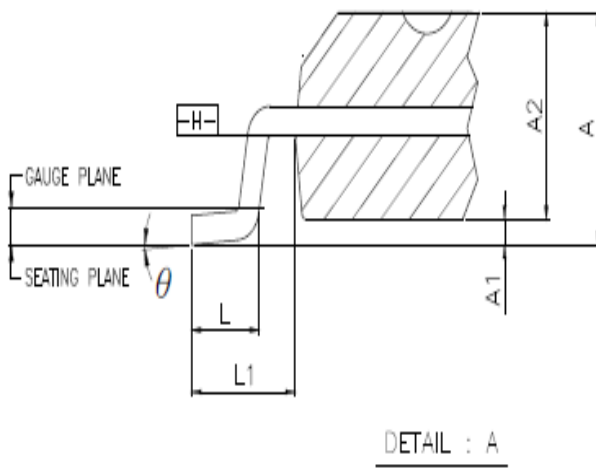
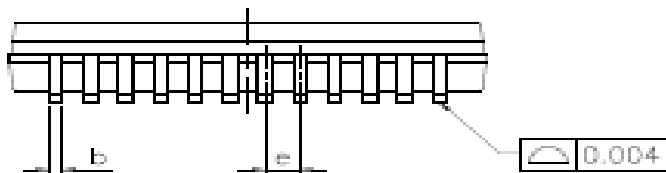
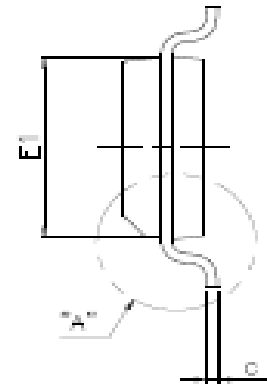
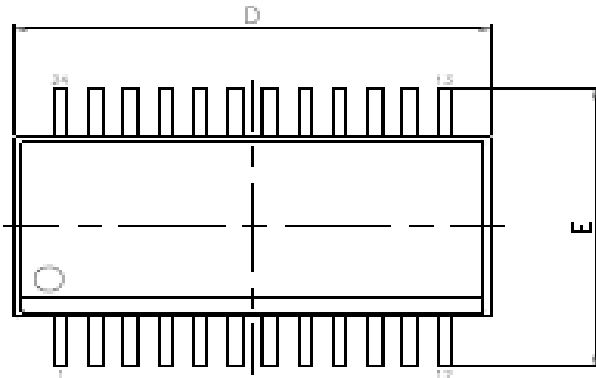
DETAIL : A

SYMBOLS	INCH		
	MIN	TYP	MAX
A	0.053	0.064	0.069
A1	0.004	0.006	0.010
A2	-	-	0.059
b	0.008	-	0.012
C	0.007	-	0.010
D	0.337	0.341	0.344
E	0.228	0.236	0.244
E1	0.150	0.154	0.157
e	0.025 BSC		
L	0.016	0.025	0.050
L1	0.041 BSC		
θ°	0	-	8

Package Information

1.20. SSOP24(Pitch:0.635mm,Width:150mil)

Lead of SSOP24	Pitch=0.635 mm=0.025 inch Body width=150 mil
-----------------------	---

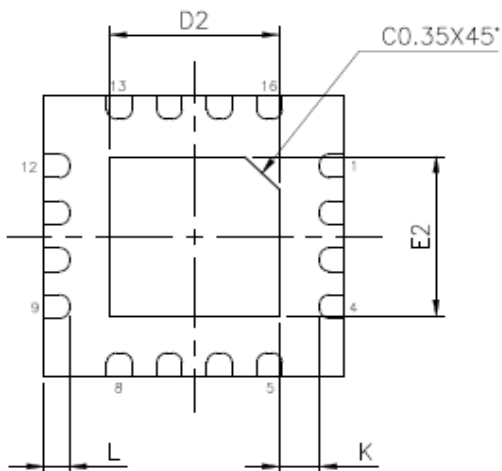
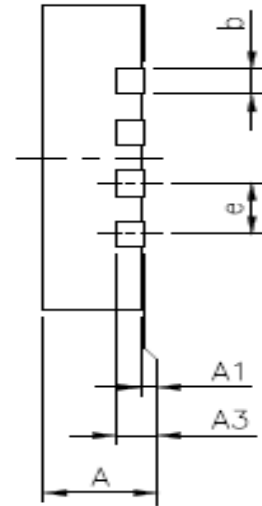
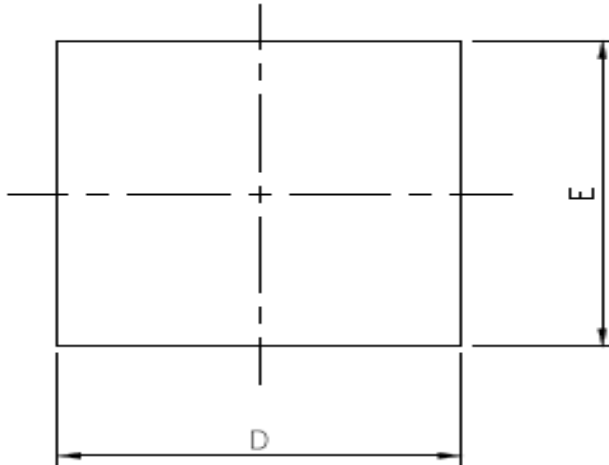


SYMBOLS	INCH		
	MIN	TYP	MAX
A	0.053	0.064	0.069
A1	0.004	0.006	0.010
A2	-	-	0.059
D	0.337	0.341	0.344
E	0.228	0.236	0.244
E1	0.150	0.154	0.157
b	0.008	-	0.012
c	0.007	-	0.010
e	0.025 BSC		
L	0.016	0.025	0.050
L1	0.041 BSC		
θ°	0	-	8

Package Information

1.21. QFN3*3-16(Pitch:0.50mm,Width:3x3mm,Thickness:0.75mm)

Lead of QFN3*3-16	Pitch=0.5mm Body width=3x3mm Body thickness=0.75mm
--------------------------	---



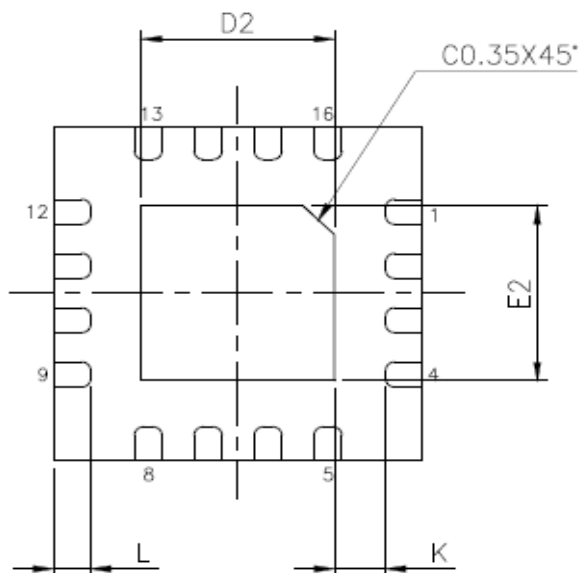
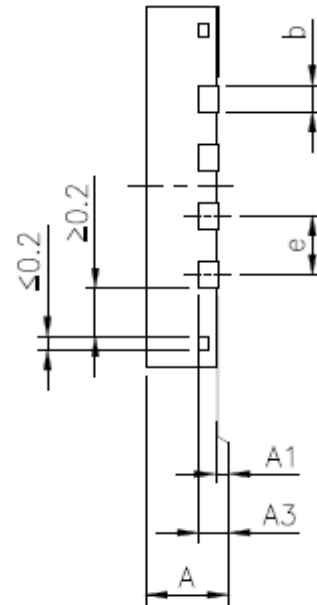
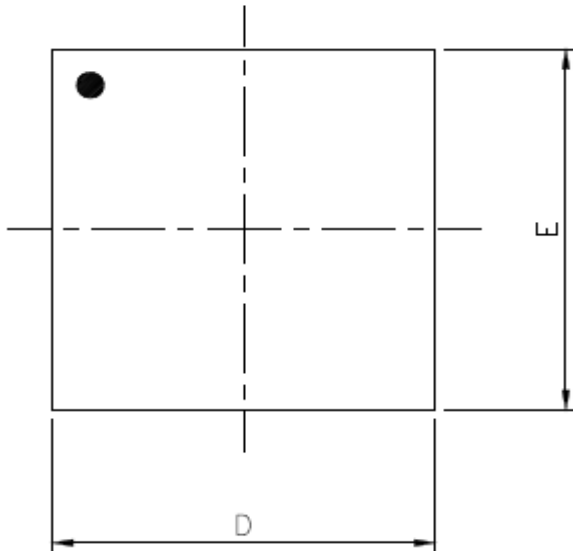
SYMBOLS	MILLIMETERS		
	MIN	TYP	MAX
A	0.70	0.75	0.80
A1	0.00	0.02	0.05
A3	0.203 REF		
b	0.18	0.25	0.30
D	3.00 BSC		
E	3.00 BSC		
e	0.50 BSC		
K	0.20	-	-
D2	1.65	1.70	1.75
E2	1.65	1.70	1.75
L	0.30 REF		

1. E-PAD dimensions are for reference only
2. E-PAD : Refer to PMC-APN-019 E-PAD product PCB layout guideline

Package Information

1.22. QFN4*4-16(E-PAD:2.1x2.1mm,Pitch:0.65mm,Width:4x4mm,Thickness:0.75mm)

Lead of QFN4*4-16	Pitch=0.65mm Body width=4x4mm Body thickness=0.75mm
--------------------------	--



SYMBOLS	MILLIMETERS		
	MIN	TYP	MAX
A	0.70	0.75	0.80
A1	0.00	0.02	0.05
A3	0.203 REF		
b	0.25	0.30	0.35
D	4.00 BSC		
E	4.00 BSC		
e	0.65 BSC		
K	0.20	-	-
D2	2.05	2.10	2.15
E2	2.05	2.10	2.15
L	0.35	0.40	0.45

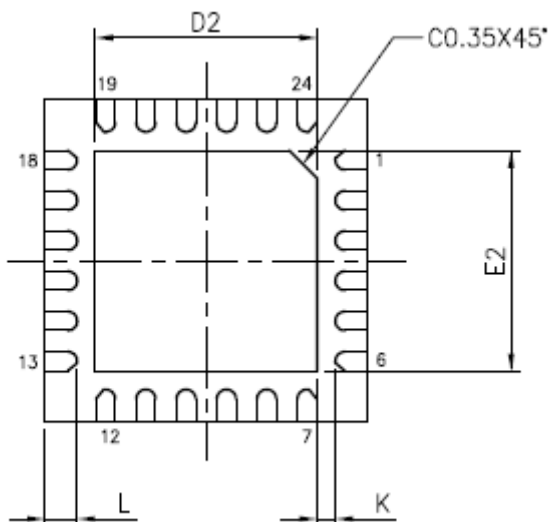
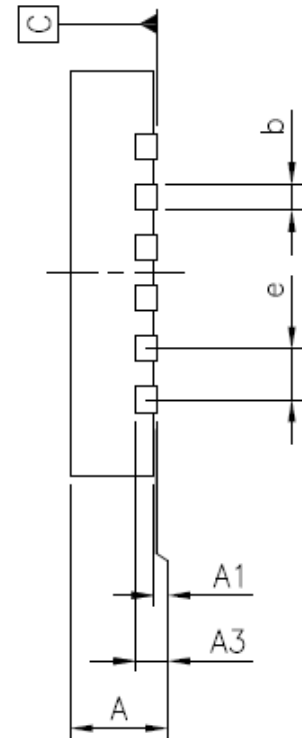
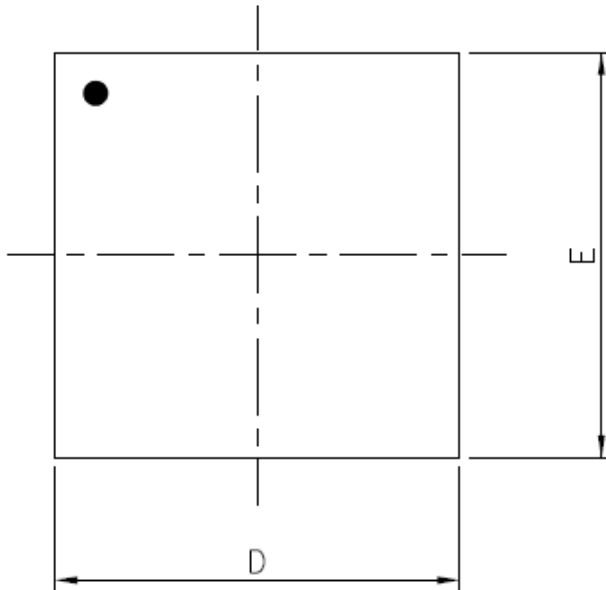
PKG CODE: WQFN

1. E-PAD dimensions are for reference only
2. E-PAD : Refer to PMC-APN-019 E-PAD product PCB layout guideline

Package Information

1.23. QFN4*4-24(Pitch:0.5mm,Width:4x4mm,Thickness:0.75mm)

Lead of QFN4*4-24	Pitch=0.5mm Body width=4x4mm Body thickness=0.75mm
--------------------------	---



SYMBOLS	MILLIMETERS		
	MIN	TYP	MAX
A	0.70	0.75	0.80
A1	0.00	0.02	0.05
A3	0.203 REF		
b	0.20	0.25	0.30
D	4.00 BSC		
E	4.00 BSC		
e	0.50 BSC		
K	0.20	-	-
D2	2.65	2.70	2.75
E2	2.65	2.70	2.75
L	0.35	0.40	0.45

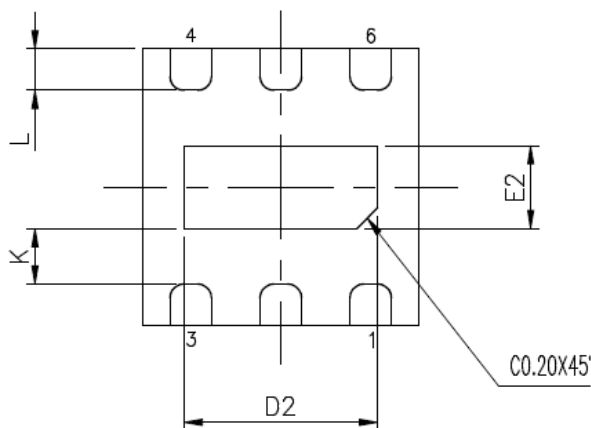
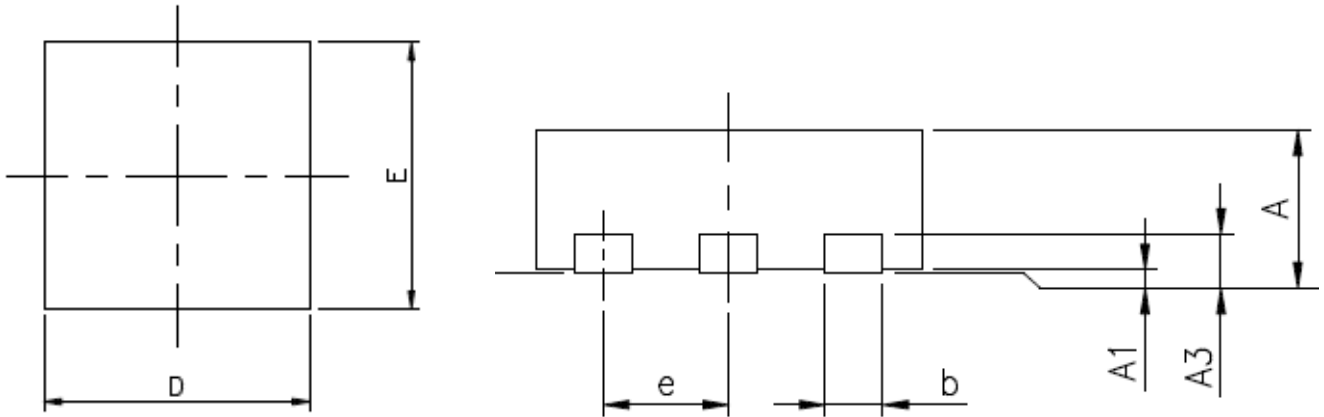
PKG CODE: WQFN

1. E-PAD dimensions are for reference only
2. E-PAD : Refer to PMC-APN-019 E-PAD product PCB layout guideline

Package Information

1.24. DFN2*2-6(Pitch:0.65mm,Width:2x2mm,Thickness:0.75mm)

Lead of DFN2*2-6	Pitch=0.65mm Body width=2x2mm Body thickness=0.75mm
-------------------------	--



SYMBOLS	MILLIMETERS		
	MIN	TYP	MAX
A	0.70	0.75	0.80
A1	0.00	0.02	0.05
A3	0.20 REF		
b	0.25	0.30	0.35
D	2.00 BSC		
E	2.00 BSC		
e	0.65 BSC		
K	0.20	-	-
E2	0.55	0.60	0.65
D2	1.35	1.40	1.45
L	0.25	0.30	0.35

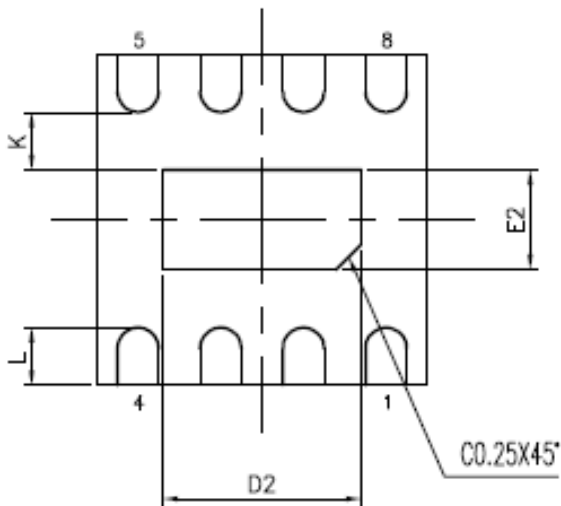
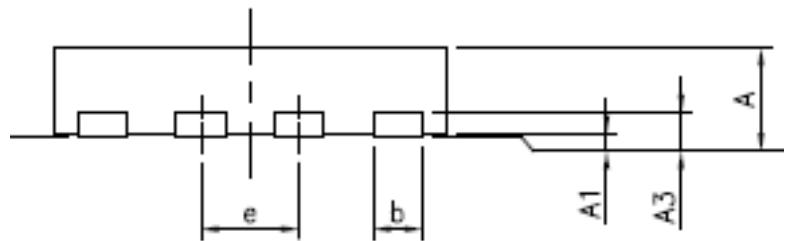
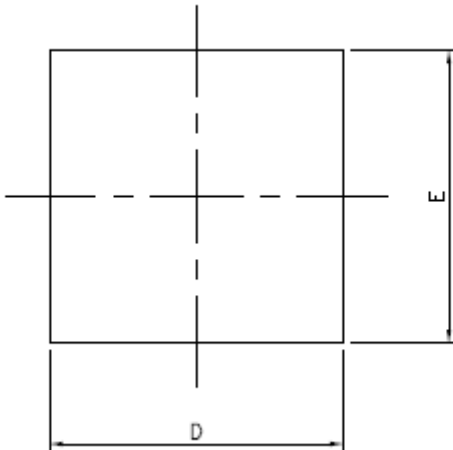
PKG CODE: WDFN

1. E-PAD dimensions are for reference only
2. E-PAD : Refer to PMC-APN-019 E-PAD product PCB layout guideline

Package Information

1.25. DFN2*2-8(Pitch:0.50mm, Width:2x2mm,Thickness:0.75mm)

Lead of DFN2*2-8	Pitch=0.5mm Body width=2x2mm Body thickness=0.75mm
-------------------------	---



WDFN SYMBOLS	MILLIMETERS		
	MIN	TYP	MAX
A	0.70	0.75	0.80
A1	0.00	0.02	0.05
A3	0.203 REF		
b	0.20	0.25	0.30
D	2.00 BSC		
E	2.00 BSC		
e	0.50 BSC		
K	0.20	-	-
D2	1.15	1.20	1.25
E2	0.60	0.65	0.70
L	0.30	0.35	0.40

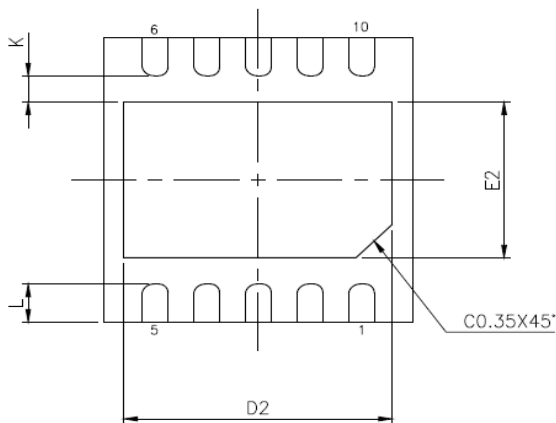
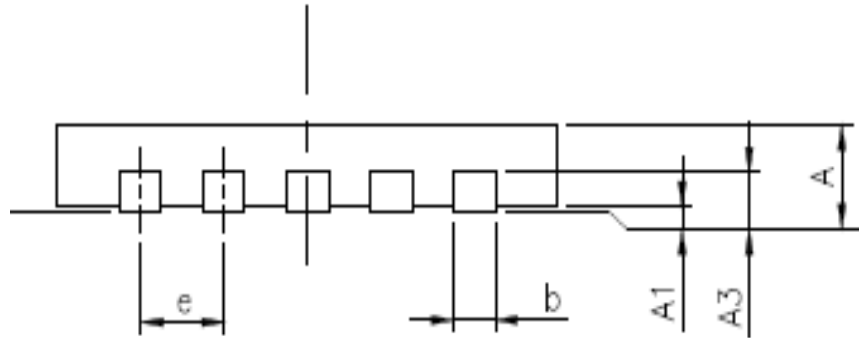
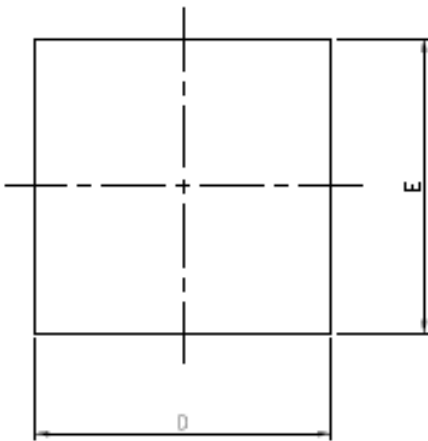
PKG CODE: WDFN

1. E-PAD dimensions are for reference only
2. E-PAD : Refer to PMC-APN-019 E-PAD product PCB layout guideline

Package Information

1.26. DFN3*3-10(Pitch:0.50mm, Width:3x3mm,Thickness:0.75mm)

Lead of DFN3*3-10	Pitch=0.50mm Body width=3x3mm Body thickness=0.75mm
--------------------------	--



SYMBOLS	MILLIMETERS		
	MIN	TYP	MAX
A	0.70	0.75	0.80
A1	0.00	0.02	0.05
A3	0.203 REF		
b	0.18	0.25	0.30
D	3.00 BSC		
E	3.00 BSC		
e	0.50 BSC		
K	0.20	-	-
D2	2.20	2.30	2.35
E2	1.55	1.65	1.70
L	0.30	0.40	0.50

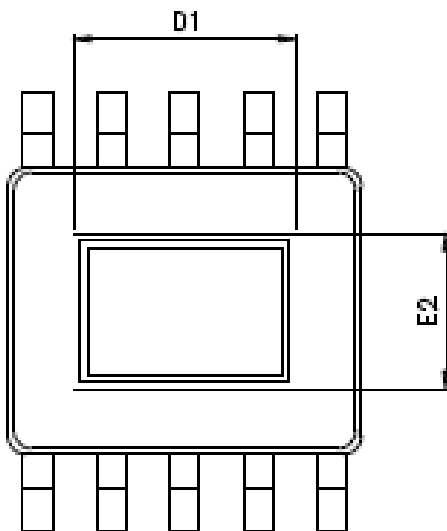
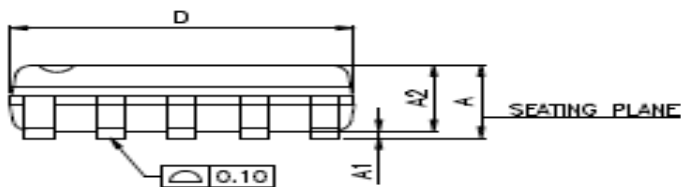
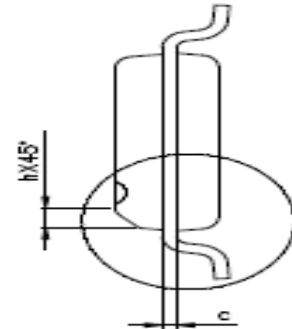
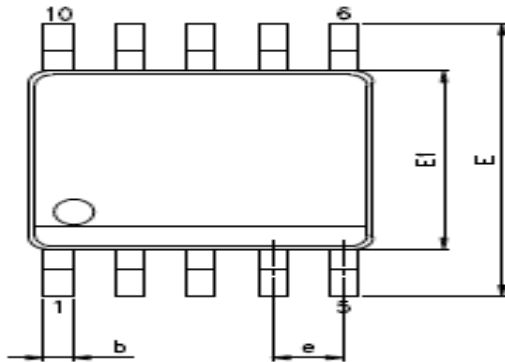
PKG CODE: WDFN

1. E-PAD dimensions are for reference only
2. E-PAD : Refer to PMC-APN-019 E-PAD product PCB layout guideline

Package Information

1.27. ESSOP10(Pitch:1mm,Width:150mil) with E-PAD

Lead of ESSOP10	Pitch=1mm Body Width=150 mil=3.9 mm
------------------------	--



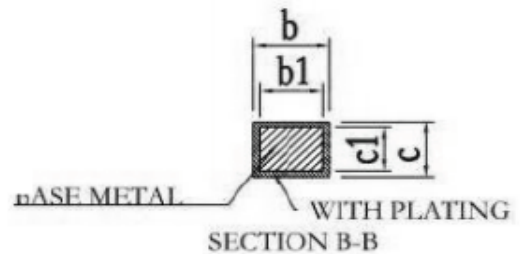
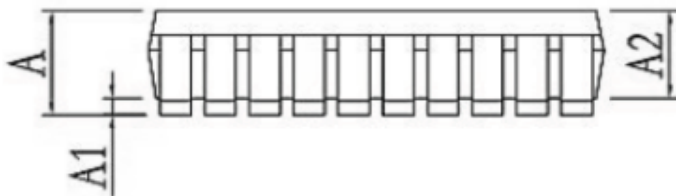
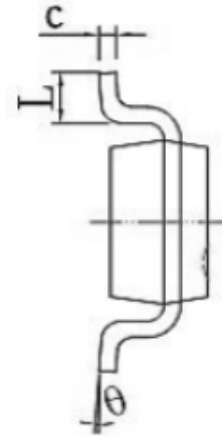
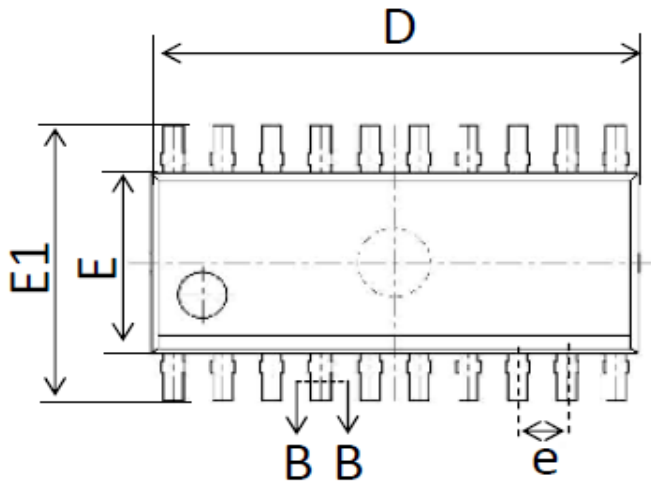
SYMBOLS	MILLIMETERS		
	MIN	TYP	MAX
A	1.50	1.60	1.70
A1	0.04	-	0.12
A2	1.35	1.45	1.55
A3	0.65	0.70	0.75
b	0.30	-	0.50
c	0.19	-	0.25
D	4.80	4.90	5.00
D1	2.60	3.30	3.40
E	5.90	6.00	6.10
E1	3.84	3.94	4.04
E2	1.80	2.15	2.50
e	1.00		
h	0.25	-	0.50
L	0.52	-	0.72
θ°	0	-	8

1. E-PAD dimensions are for reference only
2. E-PAD : Refer to PMC-APN-019 E-PAD product PCB layout guideline

Package Information

1.28. HTSOP20(Pitch:1mm,Width:150mil)

Lead of HTSOP20	Pitch=1mm Body Width=150 mil =3.9 mm
------------------------	---



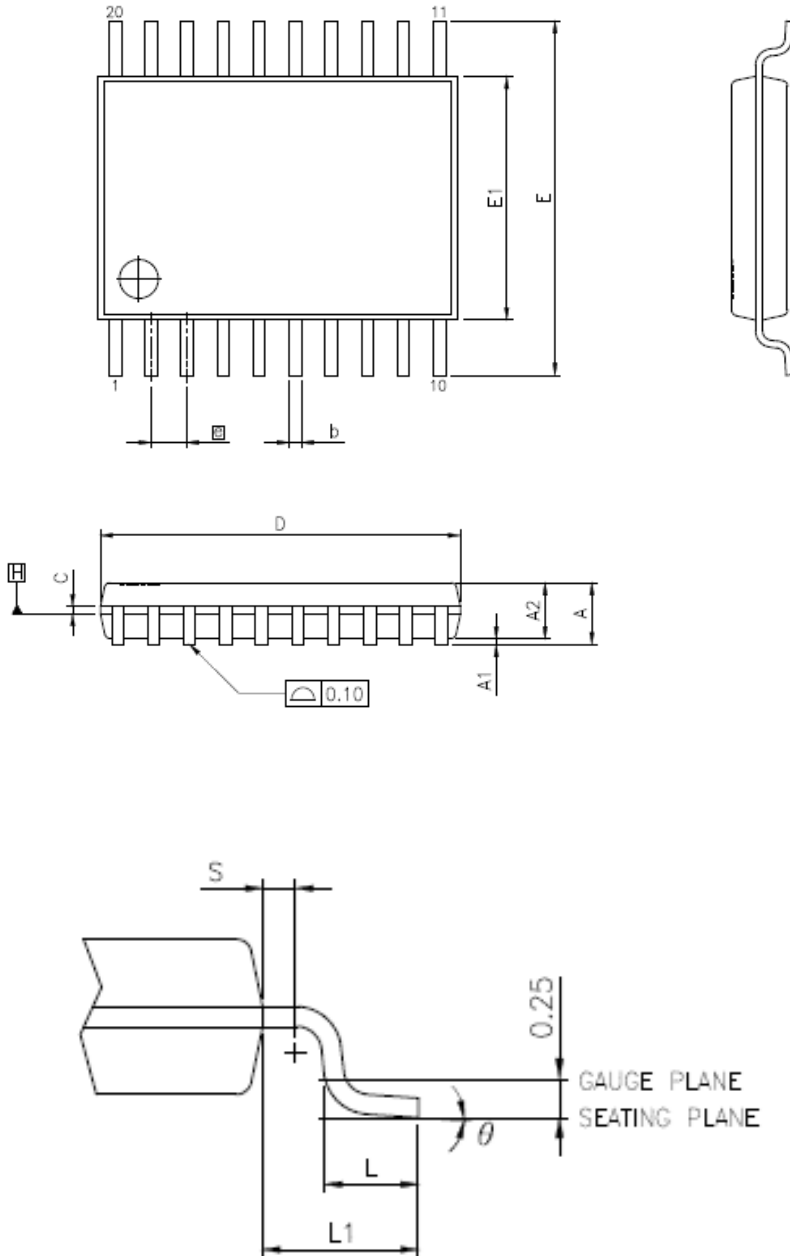
SYMBOLS	MILLIMETERS	
	MIN	MAX
A	1.35	1.75
A1	0.10	0.25
A2	1.35	1.55
b	0.33	0.51
b1	0.32	0.50
c	0.17	0.25
c1	0.16	0.24
D	9.80	10.20
E	3.80	4.00
E1	5.80	6.20
e	1.0 BSC	
L	0.40	0.80
θ°	0	8

Package Information

1.29. TSSOP20

Lead of TSSOP20

**Pitch=0.65mm
Body Width=173 mil**

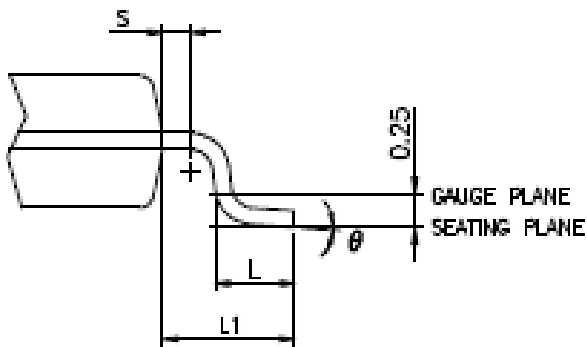
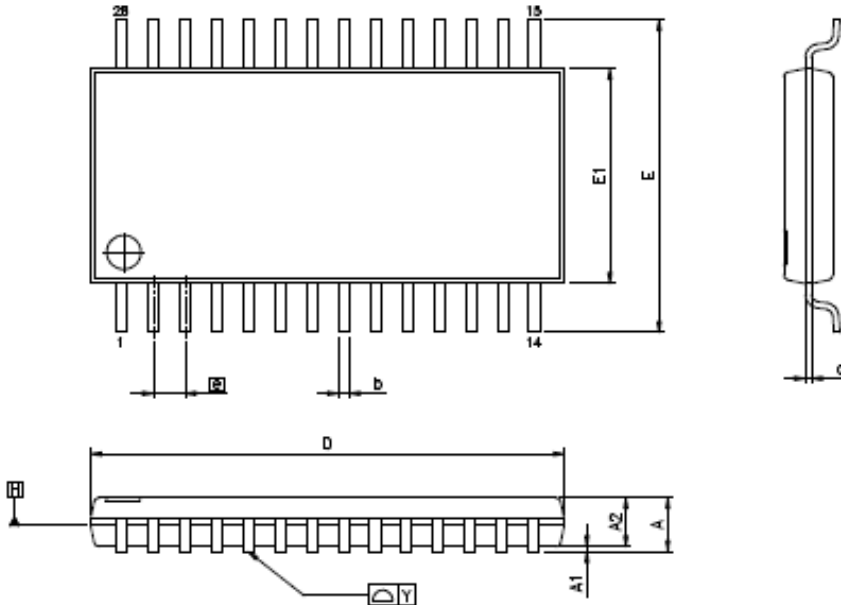


SYMBOLS	MM (MILLIMETERS)		
	MIN	TYP	MAX
A	-	-	1.20
A1	0.05	-	0.15
A2	0.80	1.00	1.05
b	0.19	-	0.30
c	0.09	-	0.20
D	6.40	6.50	6.60
E1	4.30	4.40	4.50
E	6.40 BSC		
e	0.65 BSC		
L1	1.00 REF		
L	0.50	0.60	0.75
S	0.20	-	-
θ°	0	-	8

Package Information

1.30. TSSOP28

Lead of TSSOP28	Pitch=0.65mm Body Width=173 mil
------------------------	--



SYMBOLS	MM (MILLIMETERS)		
	MIN	TYP	MAX
A	-	-	1.20
A1	0.00	-	0.15
A2	0.80	1.00	1.05
b	0.19	-	0.30
c	0.09	-	0.20
D	9.60	9.70	9.80
E1	4.30	4.40	4.50
E	6.40 BSC		
e	0.65 BSC		
L1	1.00 REF		
L	0.45	0.60	0.75
S	0.20	-	-
θ°	0	-	8
Y	0.100		